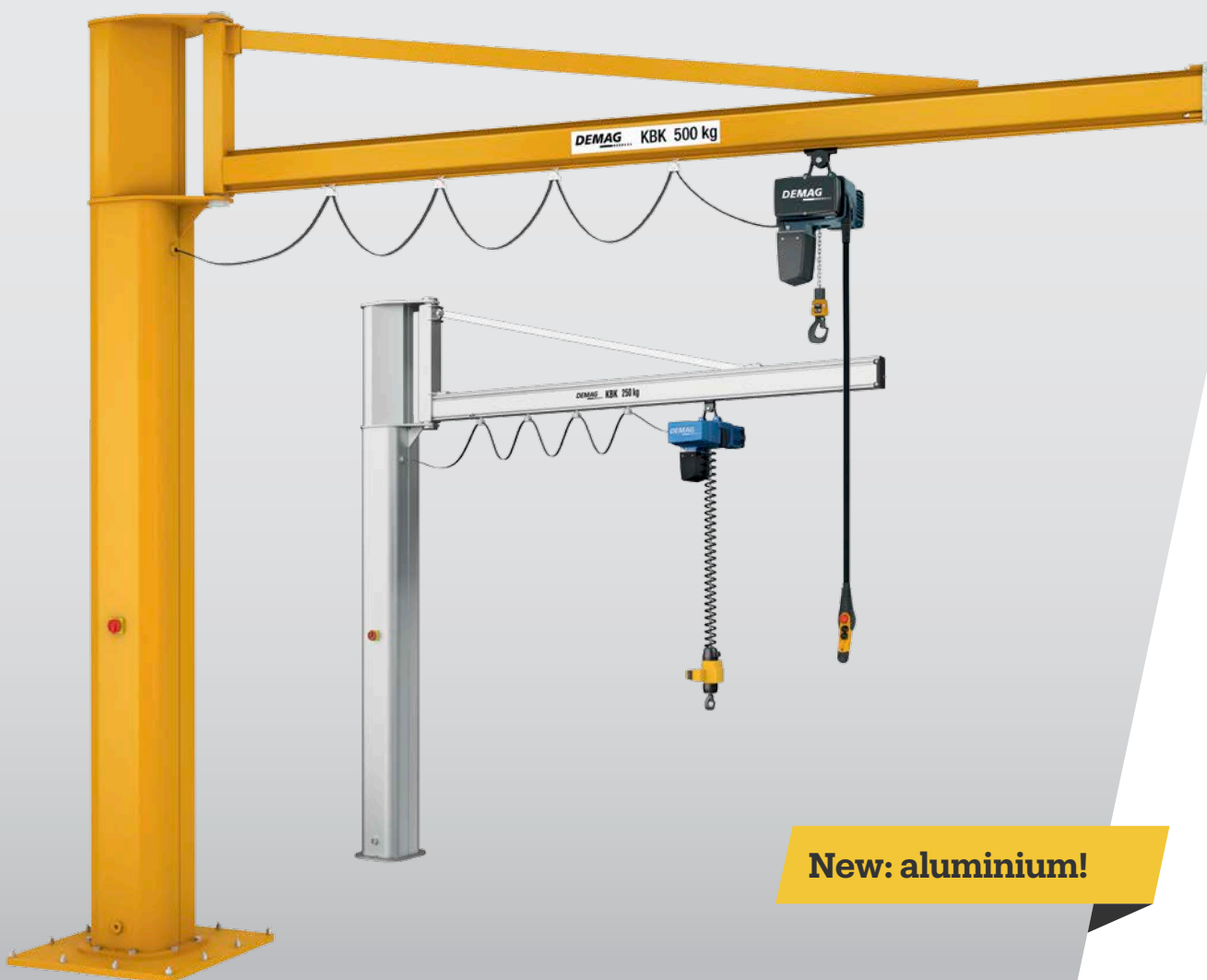


Move more

Productivity and ergonomics



New: aluminium!

Pillar and wall-mounted
slewing jib cranes

DEMAG
.....

Everything from a single source

System components and installations

Demag slewing jib cranes ensure that all types of workpieces can be lifted and transported quickly and easily and deposited gently and precisely. They provide handling performance at machine tools and assembly stations, as well as in outdoor storage yards and on loading ramps. They are installed direct at the workplace and can be equipped with a wide selection of hoist units.

IMPROVED PRODUCTIVITY AND ERGONOMICS

Manual handling and combining or moving relatively light loads is often not only time-consuming, but also an ergonomic burden for employees.

Demag pillar and wall-mounted slewing jib cranes help to improve workplace ergonomics. We provide you with solutions to meet your specific requirements. For high efficiency and improved operating safety for workers, equipment and loads.

- Safe and reliable material flow
- Optimum workplace design
- Simple operation
- Ergonomic handling
- Complete solutions for your specific needs from a single source
- Highest possible quality standards
- Broad spectrum of load capacities and outreach dimensions



Demag Designer tool portal – configure products to meet your needs

Configure a slewing jib crane solution to meet your needs with our Demag Designer system. When you have selected the product, you can choose from a wide variety of available options to find the best possible solution for your requirements – a simple, reliable and plausible method.

Your direct access to our product configuration tools:
www.demag-designer.com

YOUR BENEFITS:

- Easy to use
- Specify products to meet your needs
- Save your configuration
- Immediate results:
 - Product description
 - Technical data
 - CAD geometry data
 - Circuit diagrams
 - Documentation
- Online ordering via Demag Shop



Simple planning

WWW.DEMAG-DESIGNER.COM

Pillar and wall-mounted slewing jib cranes

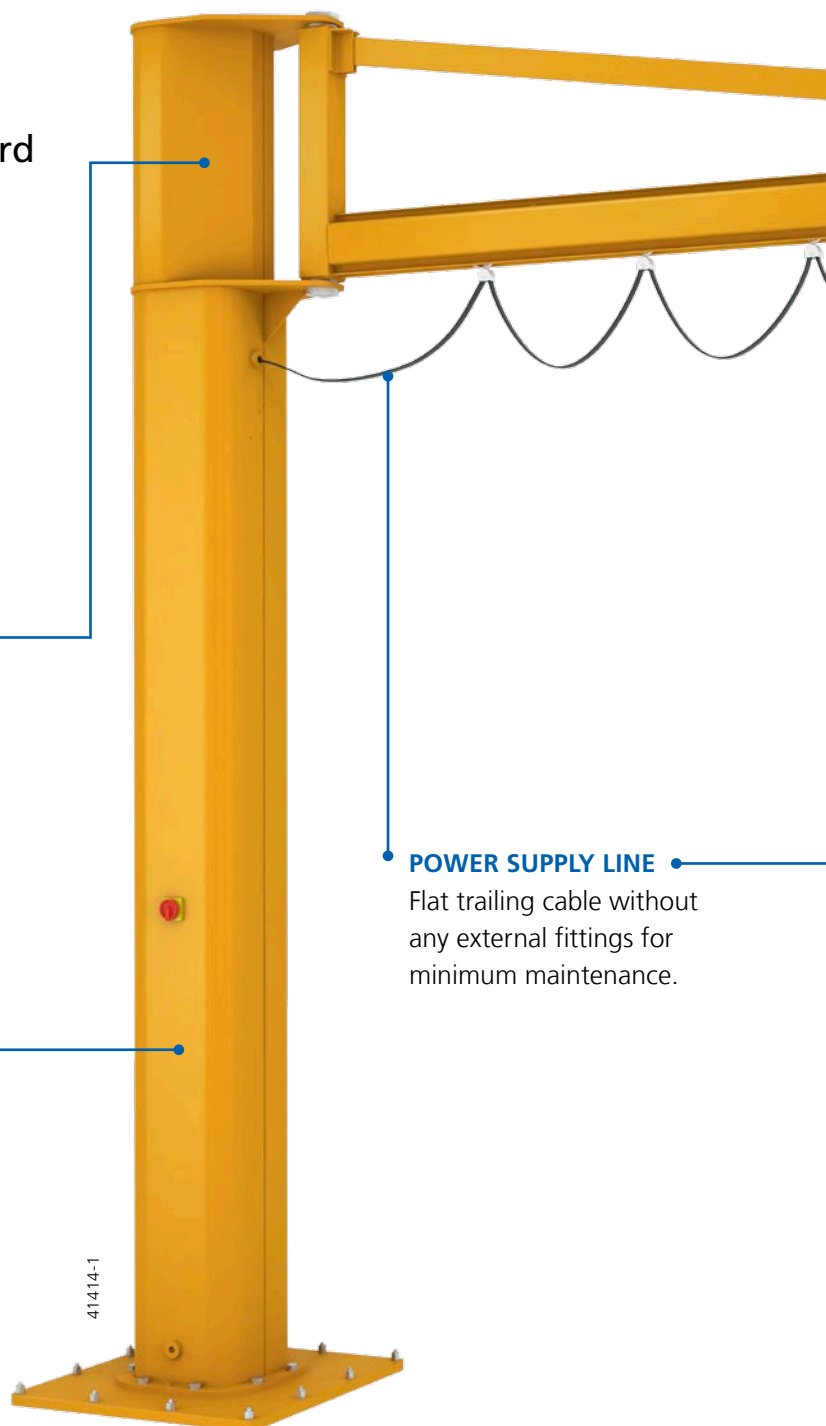
Advanced engineering to optimise workplaces in many industries. Highest possible quality standards for innovation and quality – for best possible customer benefits. Standard equipment includes the following sub-assemblies:

PILLAR HEAD

Hammerhead design for widest possible slewing angle. Robot welding for maximum precision. Consistently high standard of quality.

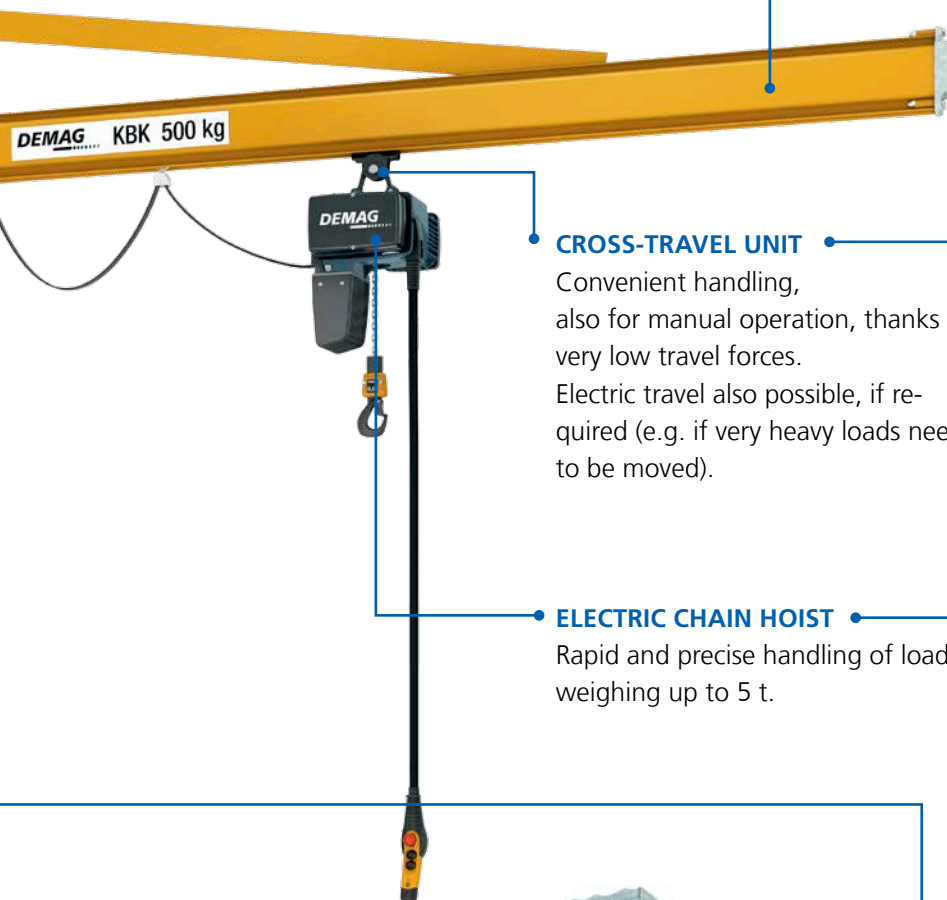
PILLAR

Engineered square pillar for high rigidity and low deadweight.



POWER SUPPLY LINE

Flat trailing cable without any external fittings for minimum maintenance.



• **JIB** •

Light-weight design for best possible handling characteristics. Improved ergonomics thanks to optimised deadweight in relation to rigidity. Available in various designs.

• **CROSS-TRAVEL UNIT** •

Convenient handling, also for manual operation, thanks to very low travel forces. Electric travel also possible, if required (e.g. if very heavy loads need to be moved).

• **ELECTRIC CHAIN HOIST** •

Rapid and precise handling of loads weighing up to 5 t.




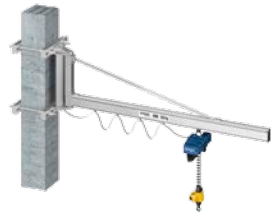

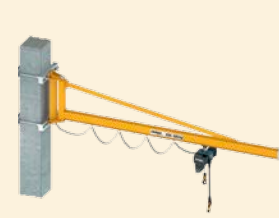



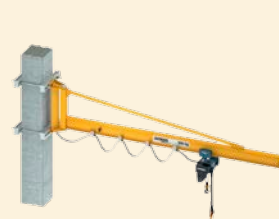


• **WALL BRACKET** •

Used to attach a slewing jib crane to a concrete wall, for example. Both pivot bearings of the jib are supplied ready to be fitted as a unit, which eliminates any complicated alignment work. The bracket is secured with threaded rods and counter-plates.

• **ELECTRIC SLEWING DRIVE** •

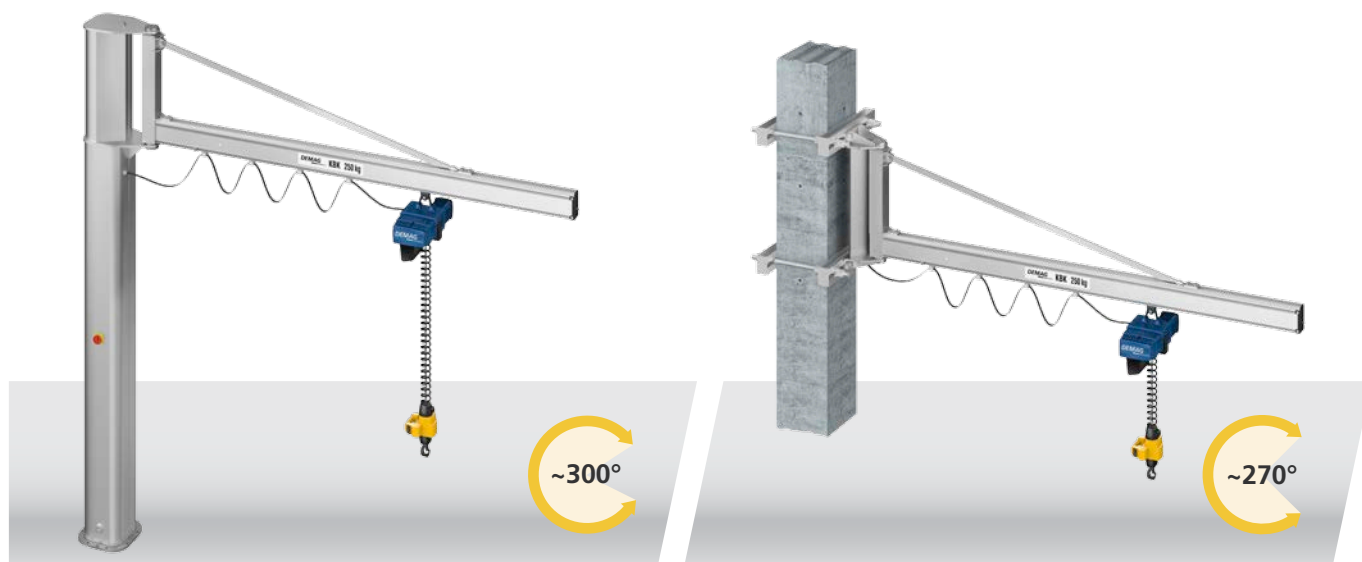
Inverter control for particularly smooth slewing motions.

The right slewing jib crane for every application

Max. load capacity [kg]	Electric slewing	Pillar-mounted slewing jib cranes		Wall-mounted slewing jib cranes	
		Jib type/design	Max. outreach [m]	Jib type/design	Max. outreach [m]
1,000	-	KBK Aluline/fitted with brace	7	KBK Aluline/fitted with brace	7
		 ~300° Product details on page 7	 ~270° Product details on page 7		
1,000	-	KBK steel/fitted with brace	7	KBK steel/fitted with brace	7
		 ~300° Product details on page 8	 ~270° Product details on page 8		
2,000	Optional	I-beam/low-headroom design	7	I-beam/low-headroom design	7
		 ~290° Product details on page 9	 ~250° Product details on page 9		
2,000	Optional	I-beam/fitted with brace	8	I-beam/fitted with brace	8
		 ~300° Product details on page 10	 ~270° Product details on page 10		
10,000	Optional	I-beam/low-headroom design	12	I-beam/low-headroom design	12
		 360° Product details on page 11	 ~180° Product details on page 11		

The crane types shown on the following pages are designed for indoor operation as standard. The surfaces of steel superstructure components are coated to meet the requirements of corrosivity category C2M.

Simple ergonomic handling



Colour variant shown can be ordered as an option.

KBK ALULINE JIB, FITTED WITH BRACE

Slewing cranes made of aluminium profile sections have very light-weight jibs. They also feature a clean and attractive design.

KBK Aluline slewing jib cranes provide optimum support for fatigue-free operation. Four different profile section sizes can be used to configure slewing jib cranes to meet your individual needs – for load capacities ranging from 80 kg to 1,000 kg.

They offer ideal handling solutions for ergonomic workplaces in combination with our variable-speed Demag Manulift hoist units.

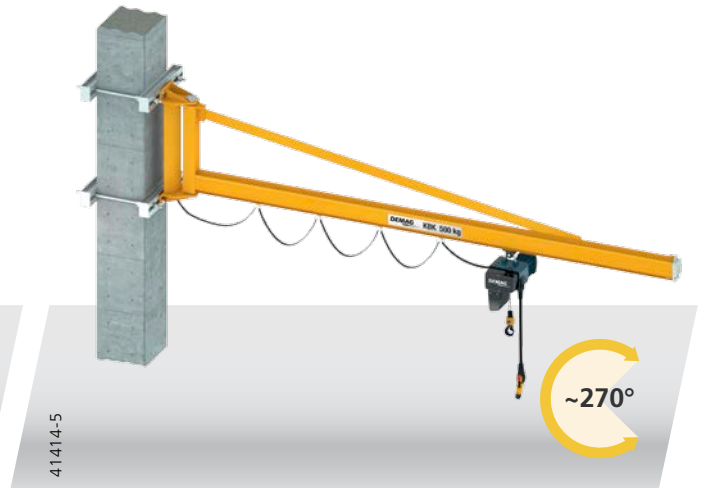
MAIN TECHNICAL FEATURES

- Classification based on DIN15018 H1B3
- Aluminium hollow-section jib

CAPACITY AND OUTREACH

Load capacity [kg]	Outreach [m]						
	2	3	4	5	6	7	
80							
125							
250							
500							
1,000							

Light-weight design, low travel forces



KBK STEEL JIB, FITTED WITH BRACE

Slewing jib cranes that have a braced KBK jib feature high load capacities and outreach in relation to their deadweight. Its low weight enables the jib to be moved with ease, even under load, for ergonomic handling. The proven KBK hollow section rail used as the crane girder also provides for very low travel forces.

This light-weight design is ideally suited for all workplace material flow requirements and handling loads weighing up to 1,000 kg.

CAPACITY AND OUTREACH

Load capacity [kg] \ Outreach [m]	2	3	4	5	6	7
80						
125						
250						
500						
1,000						

MAIN TECHNICAL FEATURES

- Classification to DIN15018 H1B3
- Hollow-section jib



Long hook paths, low headroom dimensions



I-BEAM JIB, LOW-HEADROOM DESIGN

Slewing jib cranes equipped with low-headroom I-beam jibs are suitable for universal applications over the entire load capacity range up to 2,000 kg. Thanks to their compact dimensions, they are the ideal solution for situations where long hook paths are needed in spite of a low ceiling height.

CAPACITY AND OUTREACH

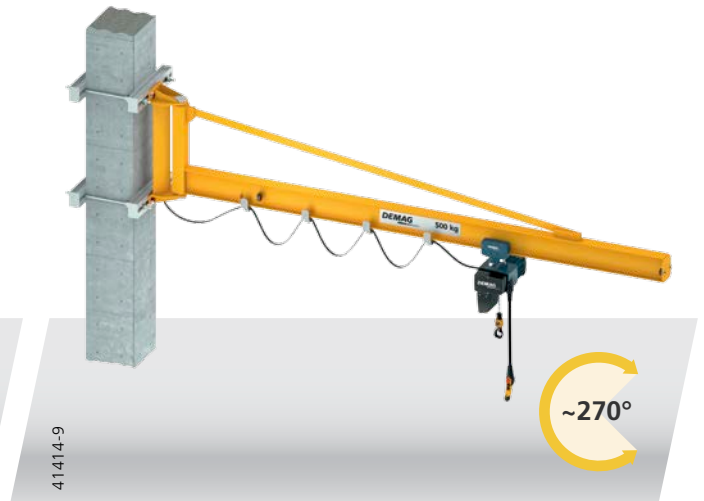
Load capacity [kg]	Outreach [m]						
	2	3	4	5	6	7	
80							
125							
250							
500							
1,000							
1,600							
2,000							

MAIN TECHNICAL FEATURES

- Classification to DIN15018 H1B3
- I-beam jib



Large outreach dimensions, low deadweight



I-BEAM JIB, FITTED WITH BRACE

The braced jib design enables large outreach dimensions to be achieved for a low deadweight, which provides for easy and ergonomic manual operation for all outreach variants.

Smooth lifting and lowering motions as well as precise positioning with these slewing jib cranes enable you to handle sensitive and valuable loads gently and to avoid damage. For load capacities up to 2,000 kg.

CAPACITY AND OUTREACH

Load capacity [kg] \ Outreach [m]	2	3	4	5	6	7	8
80							
125							
250							
500							
1,000							
1,600							
2,000							

MAIN TECHNICAL FEATURES

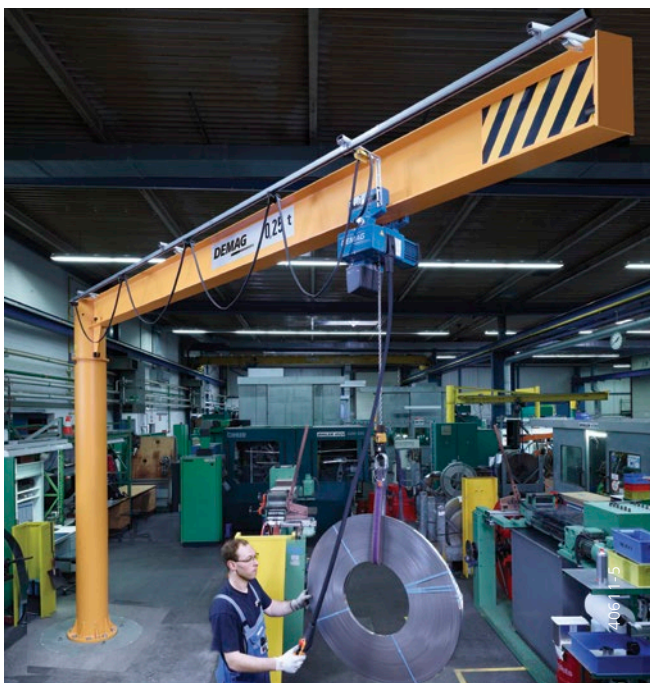
- Classification to DIN15018 H1B3
- I-beam jib

High load capacities, large outreach dimensions



I-BEAM JIB, LOW-HEADROOM DESIGN

These slewing jib cranes offer high load capacities up to 10,000 kg for large outreach dimensions. The low-headroom jib provides for particularly long hook paths. The unlimited slewing angle offered by the pillar-mounted slewing jib crane is a major benefit, especially for large working areas. However, the wall-mounted slewing jib cranes also provide a broad range of applications.



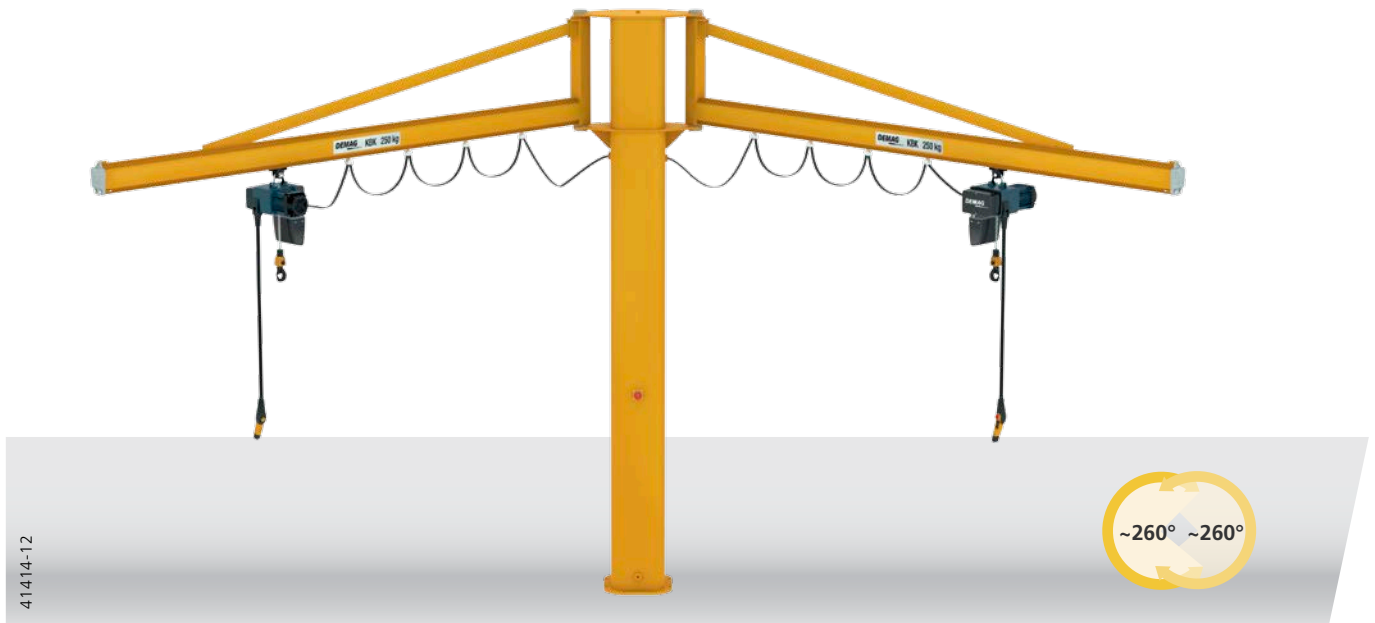
CAPACITY AND OUTREACH

Load capacity [kg]	Outreach [m]											
	2	3	4	5	6	7	8	9	10	11	12	
125												
250												
500												
1,000												
2,000												
3,200												
4,000												
5,000												
6,300												
8,000												
10,000												

MAIN TECHNICAL FEATURES

- Classification to DIN15018 H2B3
- I-beam jib
- Equipped with Demag chain or rope hoists as standard

Highly effective utilisation of space, two jibs



41414-12

KBK WITH TWO JIBS, FITTED WITH BRACE

Pillar-mounted slewing jib cranes fitted with two jibs are highly effective solutions: they take up the same space as slewing cranes that have one jib – but offer double the performance. Both jibs can be arranged opposite each other to create two neighbouring working areas. In this way, the efficiency of specific process sequences can be improved even further.

CAPACITY AND OUTREACH

Load capacity [kg]	Outreach [m]					
	2	3	4	5	6	7
80/80						
125/125						
250/250						
500/500						
1,000/1,000						

MAIN TECHNICAL FEATURES

- Classification to DIN15018 H1B3
- Hollow-section jib



36517

Options for even more possibilities

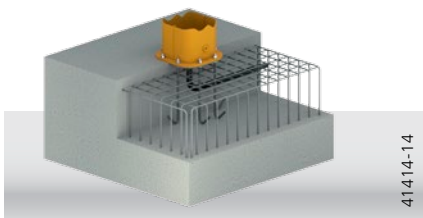
- Hoists with electric travel
- Locking device to secure the jib in a specific position
- Electric slewing drive for particularly smooth slewing motions
- Radio control
- Alternative surface coatings – e.g. for outdoor operation
- Specific pillar heights for all pillar-mounted slewing jib cranes

SLEWING MOTION LIMITER

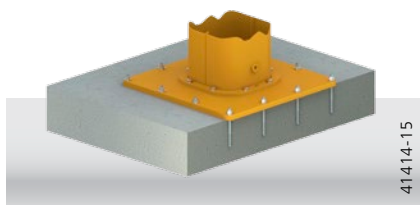


An adjustable slewing motion limiter can be installed to limit the slewing range of the jib, as required. The clamp-fitted design also enables it to be installed at a later date.

PILLAR CONNECTIONS

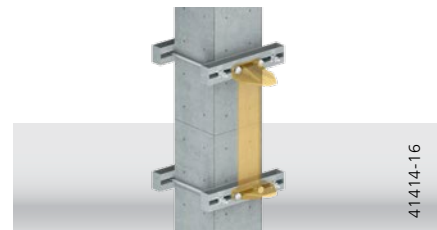


Anchors are used to fix pillars to the foundations. A template is used for precise alignment of the anchors with the mounting holes in the base of the pillar when the foundations are laid.



Anchor bolts are used to attach a pillar to an existing concrete floor. Chemical anchor bolts are first used to install an anchor plate to which the base of the crane pillar is then attached. This anchor variant is highly suited for relatively thin concrete floors that have a thickness ≥ 200 mm.

WALL MOUNTING ARRANGEMENT



Pillar brackets can be used for simple attachment of wall-mounted slewing jib cranes to a wide range of pillar dimensions. They can be attached at the required height to all square-section pillars.

All wall and pillar connections for Demag slewing jib cranes offer maximum safety and ease of installation.

Demag hoists for every application

Demag hoist units are available with a wide range of load capacities, lifting speeds and features.

COMPREHENSIVE STANDARD FEATURES FOR DEMAG CHAIN HOISTS:

They provide optimum ergonomic relief for employees and, at the same time, maximum safety and reliability wherever they are used.

- High level of safety thanks to 24 V contactor control and operating limit switches
- Flexibility thanks to two sizes of suspension bracket
- Simple commissioning thanks to plug-in connections
- Gearbox, brake and slipping clutch maintenance-free for up to 10 years
- Smooth and fast load handling with two lifting speeds
- Infinitely variable speed control option for even more precise handling
- Elapsed operating time counter and diagnostics interface provide information on the operating status



DEMAG DC-PRO CHAIN HOIST WITH CONTROL PENDANT

- Fatigue-free operation
- Convenient handling thanks to ergonomic housing design
- Comfortable working posture thanks to rapid height adjustability without any need for wiring
- Highly rugged design

DEMAG DCM-PRO MANULIFT

- Ergonomic single-handed load handling
- The chain hoist can be operated while the operator guides the load
- For right-hand and left-hand operation
- Quick-change coupling enables a wide variety of load handling attachments to be connected

DEMAG DC-PRO CHAIN HOIST WITH WIRELESS CONTROL

- The operator can vary his distance to the load for even more safety
- High versatility and availability
- Interference-free radio transmission
- Simple, wireless log-on of the hand-held transmitter
- Stop function according to safety category 3

LOW-HEADROOM DEMAG DR ROPE HOIST

- Load capacities up to 10,000 kg
- 6 m hook path as standard
- Compact dimensions save space
- Precise positioning thanks to variable cross-travel speeds
- Smooth, low-sway load handling
- Convenient operation via integrated processor control
- High level of safety thanks to overload protection



Solutions to meet your needs

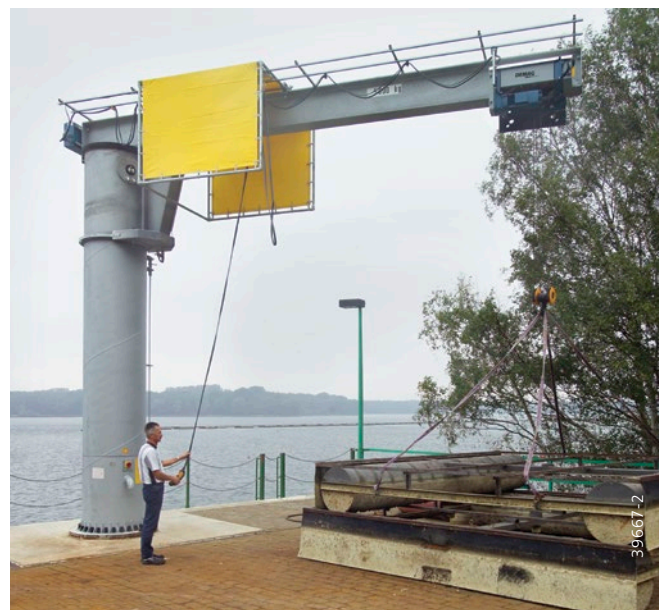
Assembly work



Serving machinery



Logistics



Slewing jib cranes operating outdoors



40050-12

0517 EN/DE - 208 755 44 - 701 15 132
Subject to change. No liability for errors or omissions.
Printed in Germany D/310517/1T

DEMAG CRANES & COMPONENTS GMBH

Wetter Site
Ruhrstrasse 28
58300 Wetter, Germany
E info@demagcranes.com
T +49 2335 92-0
F +49 2335 92-7676
www.demagcranes.com

DEMAG