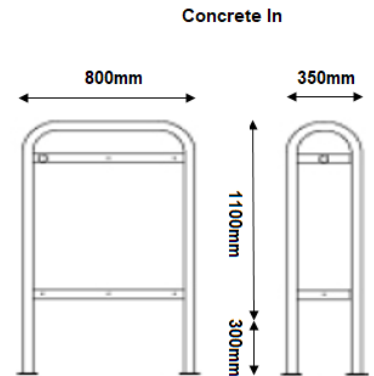
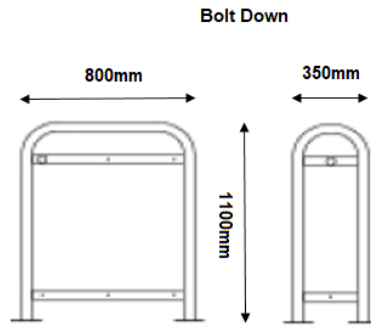




Door Guard Stainless Steel



AUTOPA Door Guards are designed to protect walls from being damaged by swinging doors. An integrated rubber stopper acts as a shock absorber, preventing the door from hitting the steel frame. Ideal for commercial and industrial sites, they are suitable for internal and external use and can be installed either individually or in pairs.

Extremely durable, AUTOPA's Door Stops are manufactured from Stainless steel and available with flange plates to bolt down or extended legs to cast into concrete.

To maximise visibility, infill plates can be added to the Door Stop (solid steel plate as standard, other materials are available upon request).

The rubber stopper can be positioned in one of six places.



<u>Part Number</u>	<u>Description</u>	<u>Weight (kg)</u>
138 206 009	Door Guard - Concrete In	13kg
138 206 004	Door Guard - Bolt Down	12kg
138 206 019	Door Guard with Steel Infil Panel - Concrete In	22kg
138 206 014	Door Guard with Steel Infil Panel - Bolt Down	21kg
138 206 029	Door Guard with Perforated Steel Infil Panel - Concrete In	21kg
138 206 024	Door Guard with Perforated Steel Infil Panel - Bolt Down	20kg

Product details

- 2mm wall thickness
- 1100mm x 800mm (height x width)
- Concrete in 300mm (below ground)
- Round flange plate – 120mm x 5mm
- 6 bolts required per door guard (bolt down)
- 50mm x 5mm tapping rail

Installation & use

Bolt down to a suitable concrete surface.
Telescopic, removable and concrete in are supplied with welded fixing spikes to ensure firm ground anchorage into concrete.
Telescopic, removable and concrete in require a suitable excavated hole for installing into concrete.
Products are guaranteed for 12 months (if installed and used correctly).



HEYN ENVIRONMENTAL
1 Corry Place, Belfast, BT3 9AH
HEYN.co.uk | +44 2890 350020

